

This document has been prepared in accordance with the scope of Scott Wilson's appointment with its client and is subject to the terms of that appointment. Scott Wilson accepts no liability for any use of this document other than by its client and only for the purposes for which it was prepared and provided.
Scott Wilson Ltd 2009

Client



NOTES

1. THIS DRAWING IS TO BE READ IN CONJUNCTION WITH ALL RELEVANT ARCHITECTS, ENGINEERS, SERVICES AND SPECIALIST DRAWINGS AND SPECIFICATIONS
2. ANY DISCREPANCIES IN DIMENSIONS OR DETAILS BETWEEN THE DRAWINGS SHOULD BE DRAWN TO THE ATTENTION OF THE ENGINEER IN WRITING FOR CLARIFICATION.
3. ALL OTHERWISE STATED ALL LEVELS ARE IN METRES AND RELATE TO THE SITE SURVEY.
4. ALL ROADWORKS TO BE IN ACCORDANCE WITH THE HIGHWAY AGENCY SPECIFICATION FOR HIGHWAY WORKS, TOGETHER WITH ANY REQUIREMENTS OF THE LOCAL HIGHWAY AUTHORITY.
5. ALL ADAPTABLE SEWERS TO BE CONSTRUCTED IN ACCORDANCE WITH SEWERS FOR ADOPTION 5th EDITION AND SPECIFIC REQUIREMENTS OF SOUTH WEST WATER.

Revision Details	By	Date	Suffix
P.C.C COMMENTS INCORPORATED. EAST BOUND WIDTH INCREASED TO 3.25m TO ACCOMMODATE A BUS	JDC	27.05.09	D
DEVON COUNTY COUNCIL COMMENTS INCORPORATED	JSBR	16.01.08	C
CROSS SECTIONS FOR CH34-35 TO 3535 AMENDED TO SHOW C/WAY WIDENING FOR BUS GATE DETAILED ON DWG 713	JB	09.10.07	B
MINOR REVISIONS TO CROSS SECTION NOTES	JR	20.09.07	A

Drawing Status
PRELIMINARY

Job Title
SHERFORD

Drawing Title
MAIN STREET FROM DEEP LANE TO HAYE ROAD CROSS SECTIONS SHEET 9 OF 9

Scale at A1
1:500, 1:100 AT A3

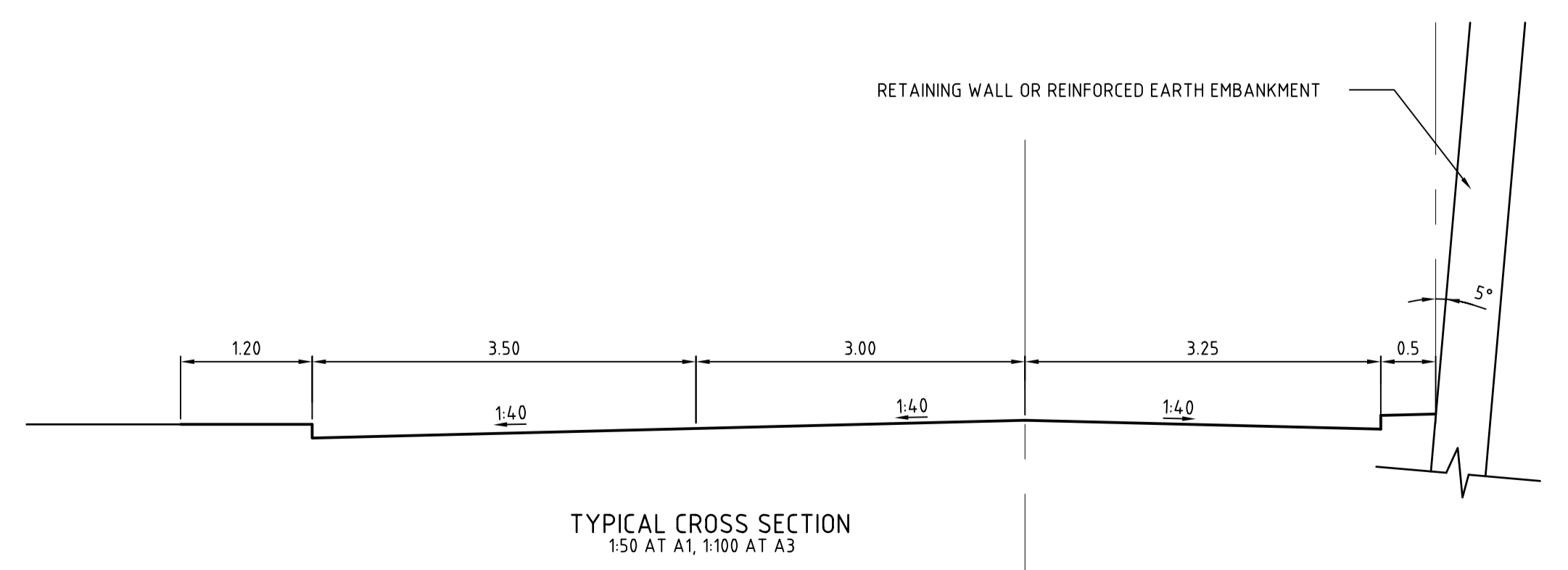
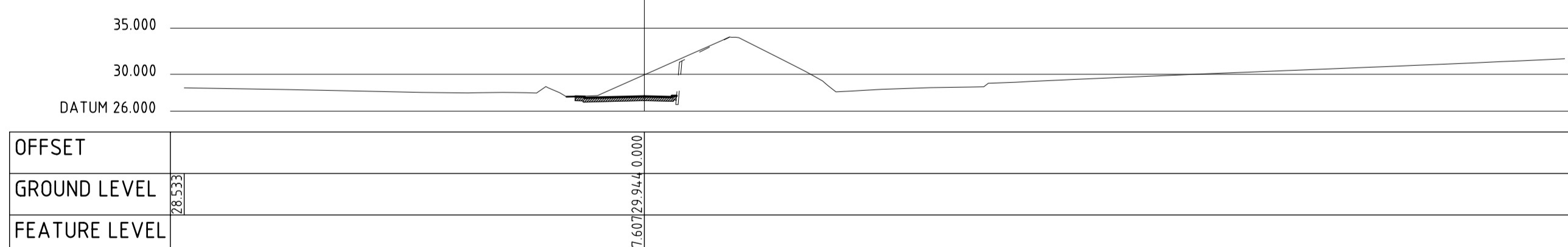
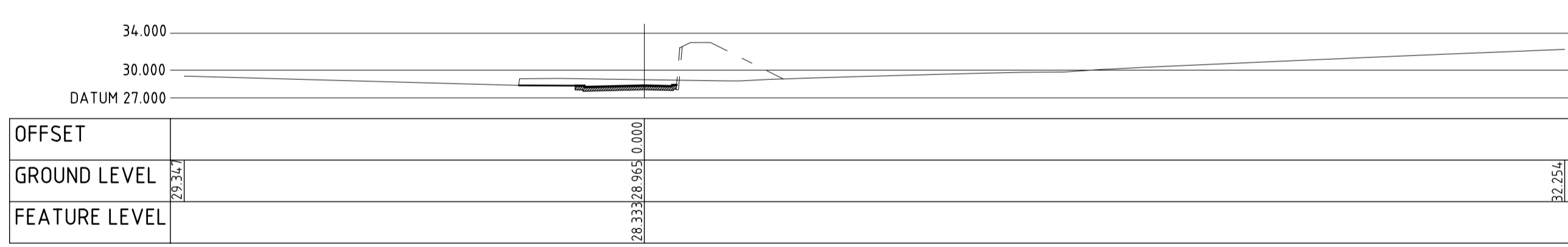
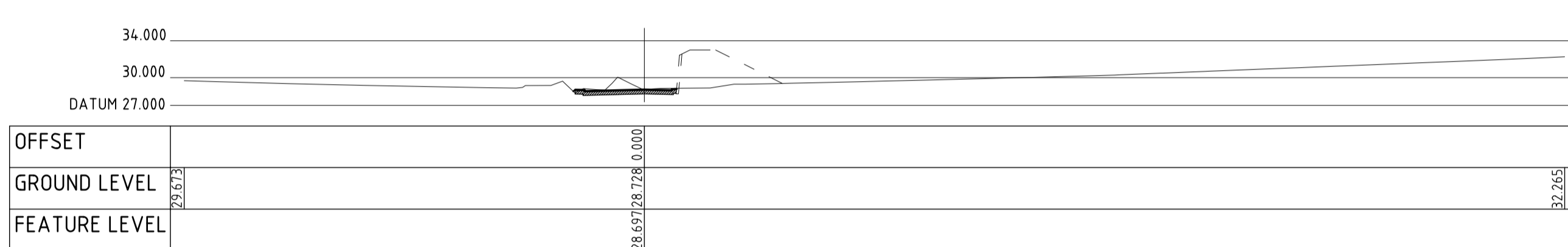
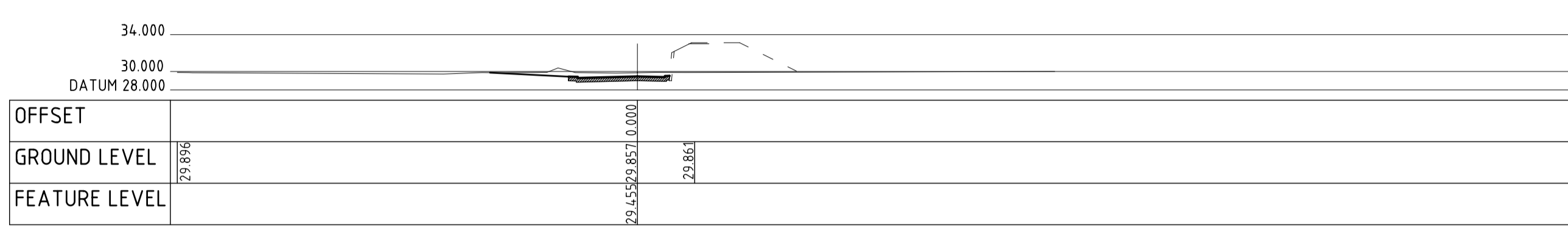
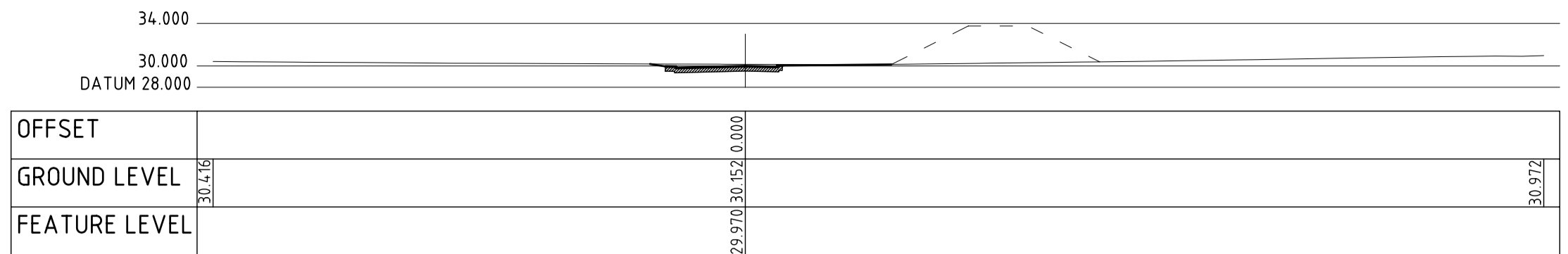
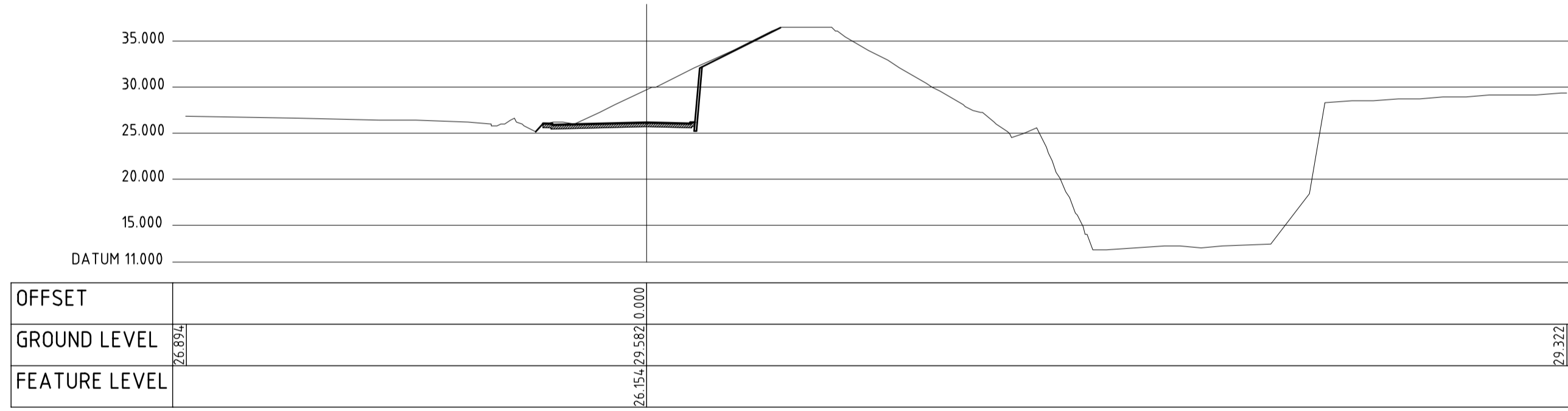
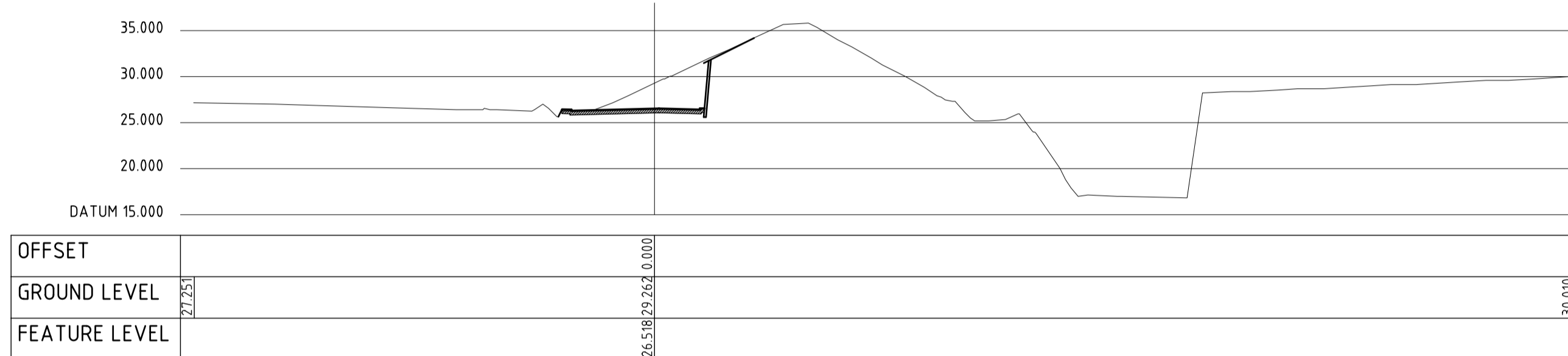
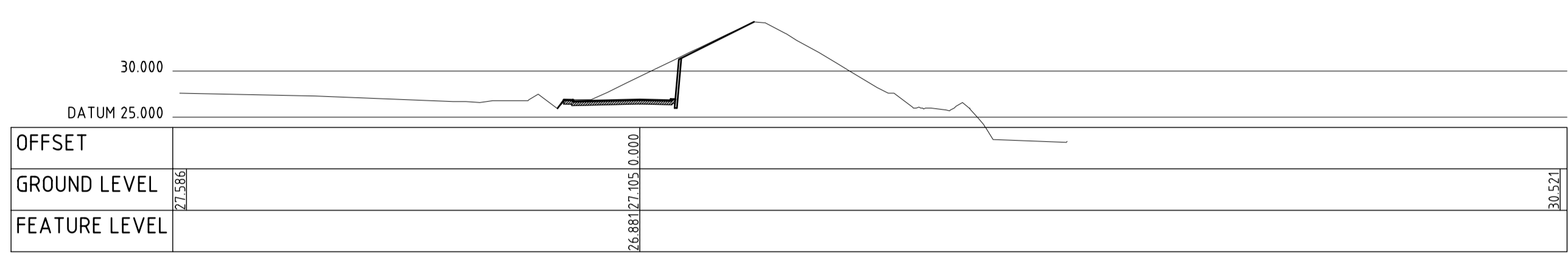
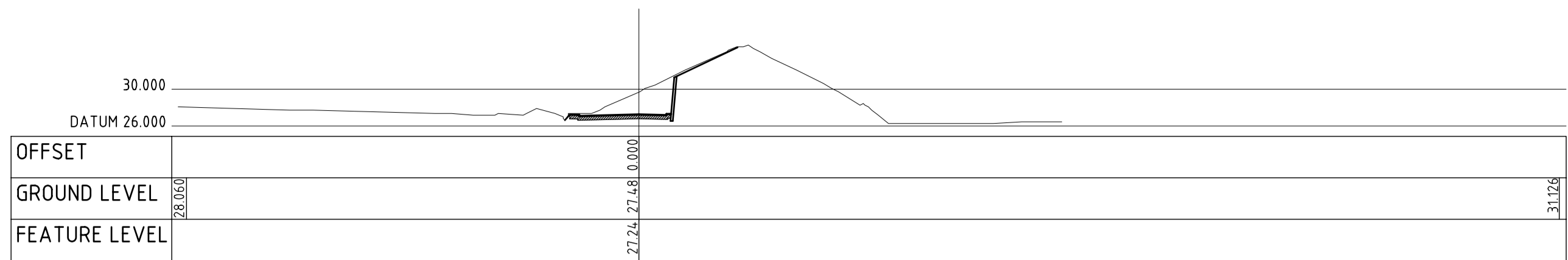
Drawn JDC	Approved AB
Tech Check NH	Det Check NH
Originated	Date OCT 06

Scott Wilson
Scott House
Basing View, Basingstoke
Hampshire, RG21 4JG
Telephone (01256) 310200
Fax (01256) 310201
www.scottwilson.com



Drawing Number
D108875-731

Rev
D



Plot Date : 27-May-09 10:55 AM By : 92761jc
 AutoCAD File Name : [7] K:\D108875 - Sherford\06a CAD\Working\Sheets\700-HIGHWAYS\108875-731.dwg [0 Xrefs]